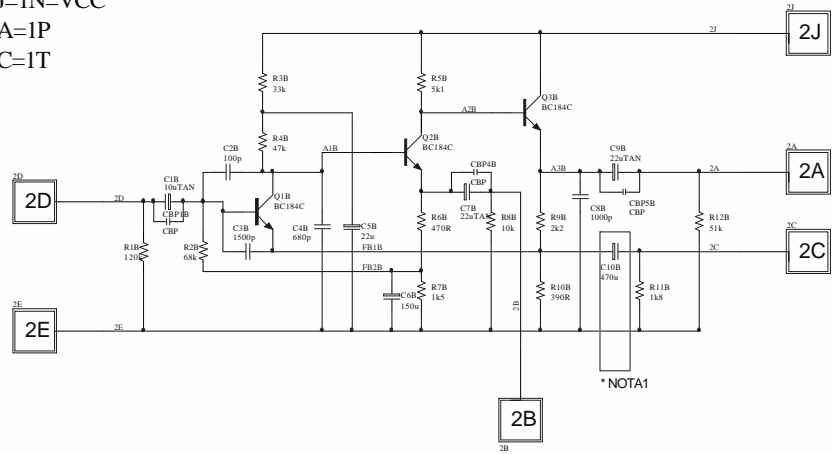
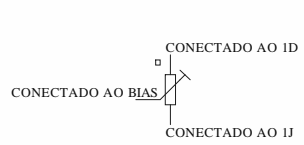
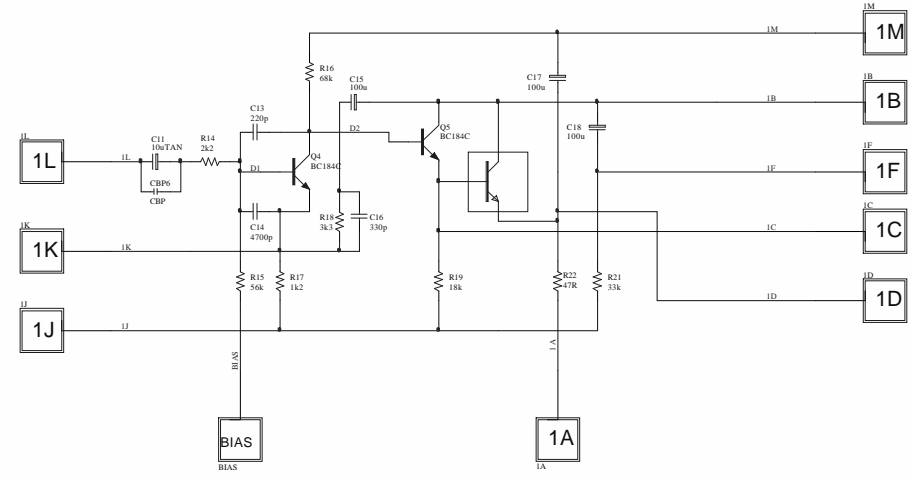


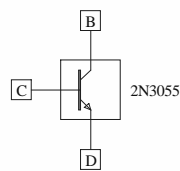
2D=1U  
 2E=1V=GND  
 2B=1S  
 2J=1N=VCC  
 2A=1P  
 2C=1T



\*NOTA1



Ajuste na 1272M



Montado na 1272M com dissipador

rev. 1	DATA: 3/JUL/2003	APROVADO POR: FB
Title		
N72 amplifier - BA283AV		
Size	Number	Revision
A2	Reliquia 72	1
Date	12/6/2004	Sheet of
File	G:\BAUMA\Temp\N72_rev2.sch	Drawn By: